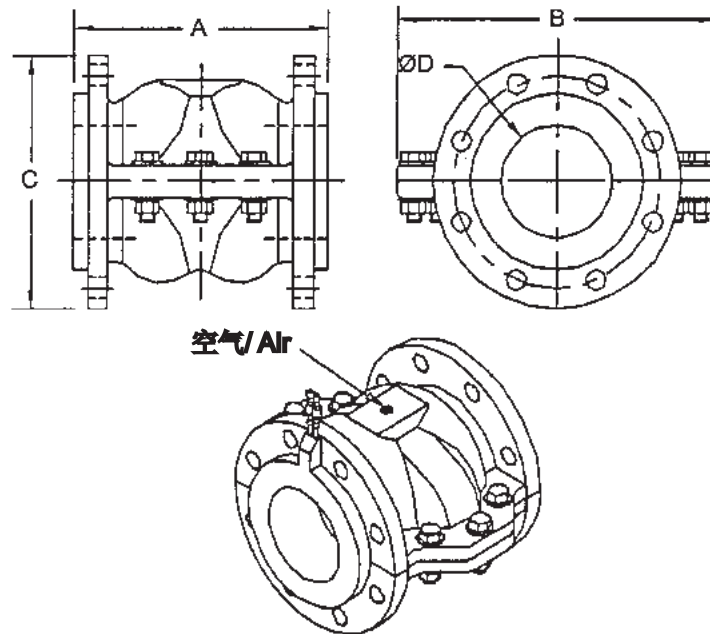


# 气动挤压阀 RVA型

## AIR OPERATED PINCH VALVES TYPE RVA



DN	A	B	C	ØD
25	128	128	115	25
40	165	150	150	40
50	178	183	165	50
65	190	194	185	65
80	203	258	200	80
100	229	295	220	100
125	254	312	250	125
150	350	385	285	150
200	457	484	340	200
250	533	618	395	250
300	610	718	460	300
350	686	681	709	350

- 阀门在直接供应压缩空气 / 液体的情况下关闭壳体中（压力差 $\Delta p$  2-3 bar）。
- By using air/fluid (differential pressure  $\Delta p$  2-3 bar) supplied to the valve body the valve will be closed.

保留技术更改的权利 / technical details subject to change without notice.

**AKO Armaturen & Separations GmbH**

D-65468 Trebur-Astheim • Adam-Opel-Str. 5 • 电话: +49 (0) 61 47-9159-0 • 传真: +49 (0) 61 47-9159-59

电子信箱: ako@ako-armaturen.de • Web: www.jiaguanfa.cn